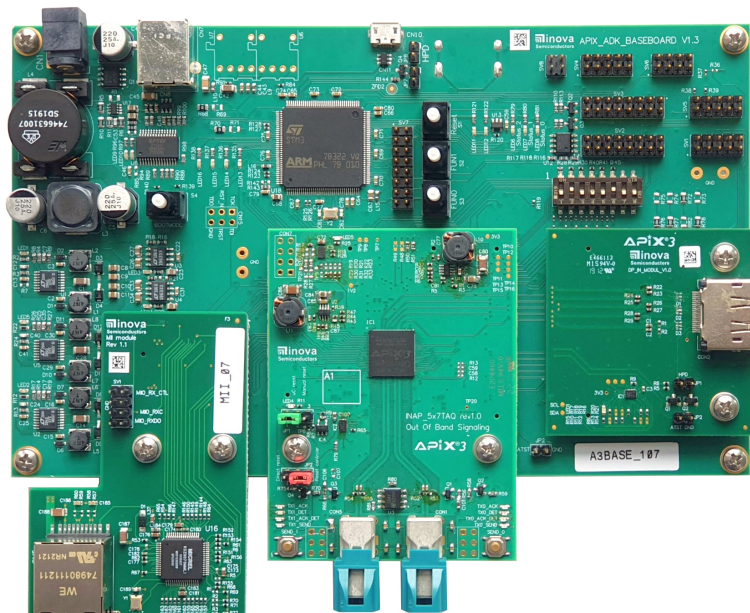


APIX3 Modular Demonstration Kit

FEATURES

- Supports APIX3 or APIX2 serial links
 - 6/3/1.5 Gbps single,
 - 12/6/3 Gbps dual lane or
 - 6+6/3+3/1.5+1.5 Gbps twin APIX3
- Supports STP cable with H-MTD connector or QSTP cable with HSD connector
- Supports uncompressed videos up to
 - 2880x1080x24bit, 60Hz
 - 2x 1920x1080x24bit, 60Hz (HDM 3D application to 2 receivers)
- Supports VESA DSC compressed video resolutions up to
 - 3840x2160x24bit, 60Hz (4K)
- 4 Video- & Data Channels for APIX3 daisy-chained displays (567T only)
- 10/100Mbit/s Ethernet over APIX
- Full duplex data communication
- CRC protected data transfer over AShell
- I²S Audio port
- Configurator Tool for board configuration
 - GUI with resolution calculator, Eye Scan, BERT, Cyclic testing
- Out-of-Band (OOB) Signaling support
- HDCPv2.3 support (597T version only)
- Interfaces with Socionext Indigo-3 & -4 APIX evaluation kits

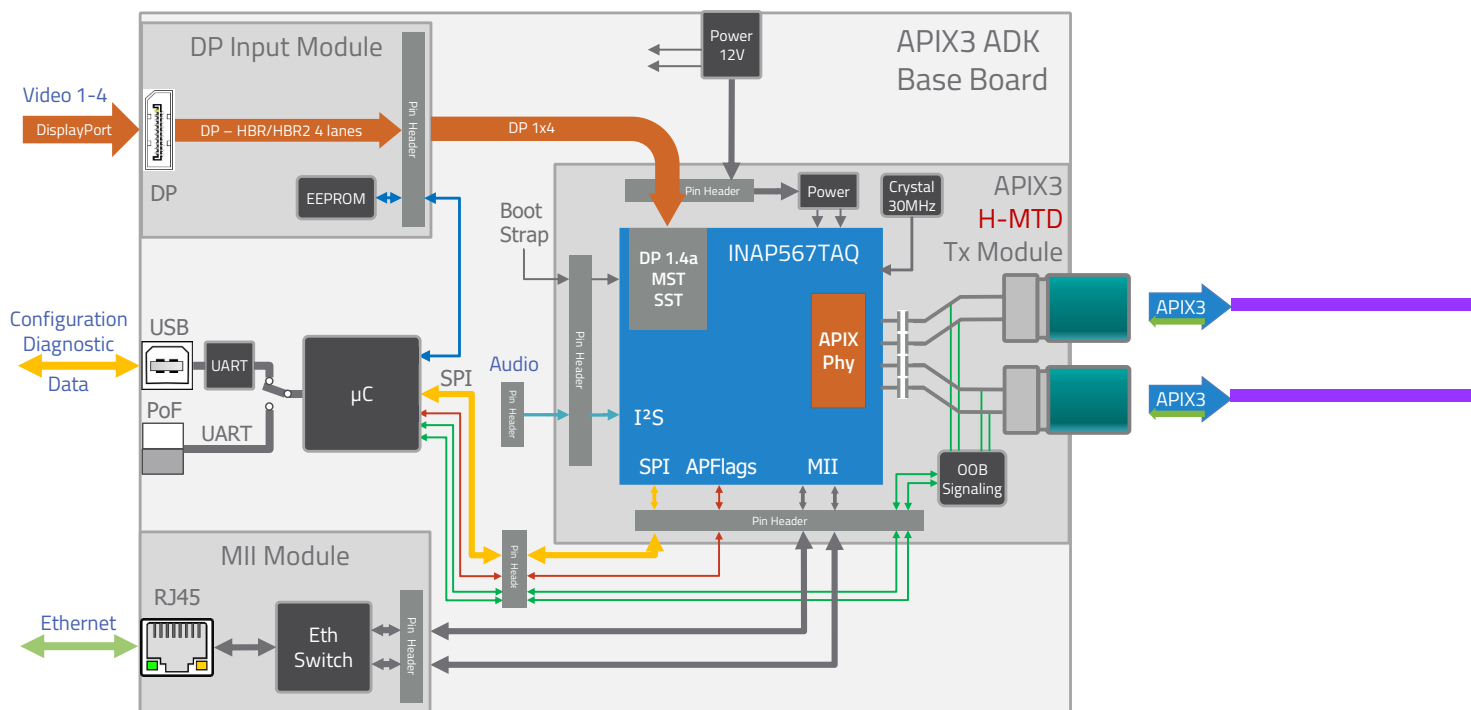


APPLICATIONS

- Infotainment Systems
- Head Units
- Instrument cluster and head-up displays
- Central Information Displays
- Console Displays
- Rear-seat entertainment systems
- Multimedia Gateways



APIX3 Tx ADK



APIX3 Transmitter Application Kit: Block Diagram

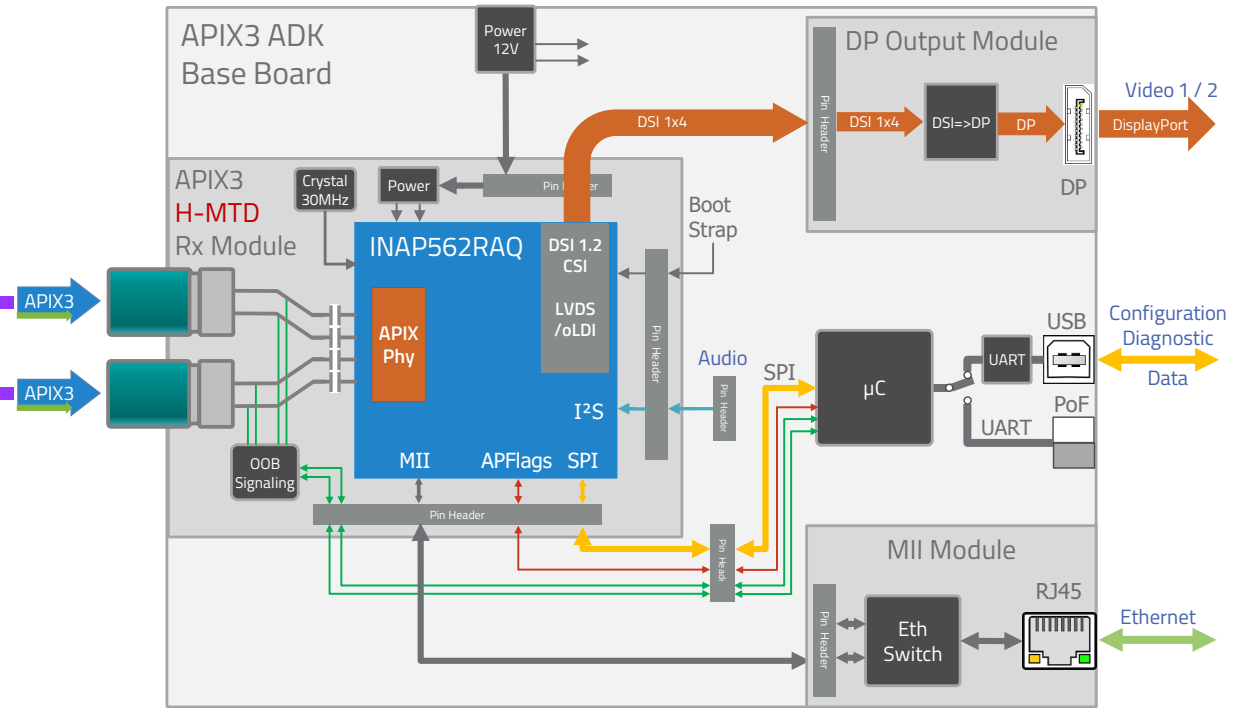
COMPONENTS

Same Base Board for Tx or Rx ADKs with:

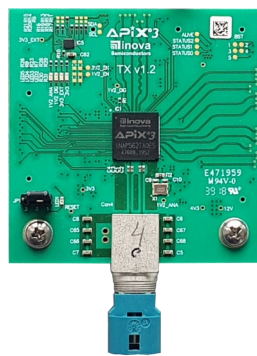
- APIX3 Tx modules with INAP567TAQ or INAP562TAQ and Rx modules with INAP562RAQ with H-MTD or HSD connectors
- DisplayPort™ 1.4a video input module or DisplayPort™ 1.2 output module
- HDMI 1.4a video port (on Tx base board)
- Ethernet switch module for Ethernet over APIX (100 Mbit/s data communication)
- Pin headers for I²S Audio or external access
- On-board µC for Device/Board Control
- USB port for terminal access or external configurator tool
- USB port for firmware upgrades or on-chip flash drive access



APIX3 Rx ADK



APIX3 H-MTD Receiver Application Kit: Block Diagram



MODULES

- Tx or Rx Module Connectors:
 - HSD
 - M-HTD (dual)
- Video Interface Modules:
 - Tx: DisplayPort input
 - Rx: DisplayPort output
DSI 2x4
dual LVDS/oLDI

ORDERING INFORMATION & SET CONTENT

▪ APIX3 Transmitter ADKs:

- APIX3 INAP567T Transmitter Board, DisplayPort, H-MTD *)
- APIX3 INAP567T Transmitter Board, DisplayPort, HSD
- APIX3 INAP562T Transmitter Board, DisplayPort, HSD
- APIX3 INAP562T Transmitter Board, HDMI, HSD

APIX3 output module (depending on ADK version)
 Base Board, USB Cable, Power Supply 12V/12W,
 DisplayPort input module or HDMI video input on-board
 MII Module
 5m Leoni Dacar 636-2 cable (blue) with HSD connector or
 2m Gebauer & Griller 2Speed 261 with H-MTD connector

Part Number:

APIX3_ADK_567T_OOB_DP
 APIX3_ADK_567T_HSD_DP
 APIX3_ADK_562T_HSD_DP
 APIX3_ADK_562T_HSD

▪ APIX3 Receiver ADKs:

- APIX3 INAP562R Receiver Board, DisplayPort, H-MTD *)
- APIX3 INAP562R Receiver Board, DisplayPort, HSD
- APIX3 INAP562R Receiver Board, LVDS, HSD

APIX3 input module (depending on ADK version)
 Base Board, USB Cable, Power Supply 12V/12W,
 DisplayPort output module or LVDS output module
 MII Module
 5m Leoni Dacar 636-2 cable (blue) with HSD connector or
 2m Gebauer & Griller 2Speed 261 with H-MTD connector

Part Number:

APIX3_ADK_562R_OOB_DP
 APIX3_ADK_562R_HSD_DP
 APIX3_ADK_562R_HSD_LV

*) with OOB (Out-of-band) Signaling support

TOOLS AND DOWNLOADS

- Documentation & Application Notes
- APIX3 Configuration Tool
 GUI with resolution calculator, Eye Scan, BERT, Cyclic testing
www.inova-semiconductors.de

