

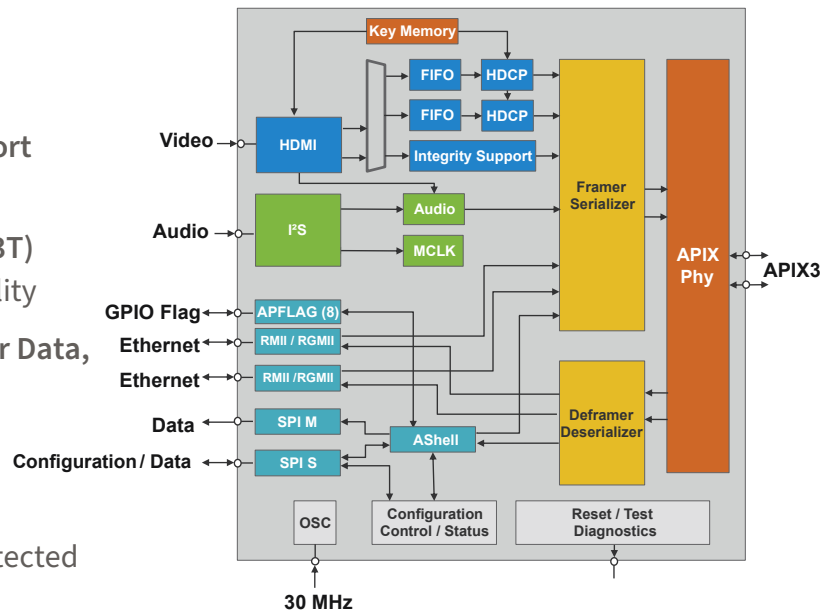
INAP563T, INAP593T

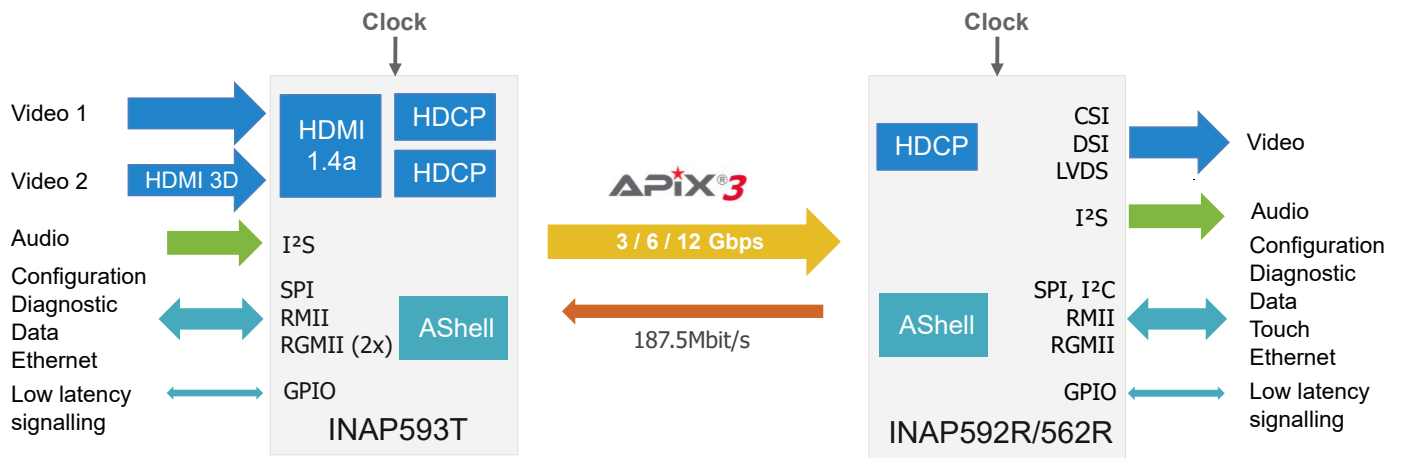
APIX3 Transmitter w. HDMI video input

FEATURES

- **Physical Layer**
 - 6, 3 or 1.5 Gbps downstream
 - Support of 12 Gbps dual lane link
 - 6+6 Gbps, 3+3 Gbps, 1.5 + 1.5 Gbps
 - 187.5Mbps upstream
 - Automatic link training
- **Supports STP (Shielded Twisted Pair) or QSTP cables**
- **Support to drive 2 receivers simultaneously**
- **Two Video Channels**
 - Uncompressed video transmission up to 3840x1080 30bit @60Hz or 2x 2880x1080 24bit @60Hz
 - Supports 18/24 or 30-bit color depth
 - Video integrity support
- **HDMI 1.4a video interface with 3D support**
 - Support for DP++ connectivity
- **2 HDCP 1.4 encryption engines (INAP593T)**
 - Source encryption, repeater functionality
- **Full-duplex communication channels for Data, Ethernet or GPIO**
 - 2 MII/RMII/RGMII Ethernet interfaces
 - 10/100 Mbps support
 - SPI data interfaces
 - Up to 4 GPIO Flags per receiver for protected signaling over AShell (APFLAG)
- **Embedded AShell protocol data protection layer**

- **Support for Audio over HDMI**
- **I²S Audio interface**
 - Supports 16/24/32 Bit word length
 - Supports up to 192kHz sampling
 - TDM support for up to 8 channels
- **Diagnostic Features:**
 - Built-in PRBS generator and checker
 - Continuous link monitoring
- **APIX2 compatible**





TEMPERATURE QUALITY

- -40°C to +105°C
- AEC-Q100

DESERIALIZER

- INAP562R, INAP592R
- INAP375R, INAP395R
- Indigo 2 / Indigo 3 / Indigo 3L (Socionext)

APPLICATIONS

- Infotainment Systems
- Head Units
- Head Up Displays
- Multimedia Gateways
- Central Information Displays
- Instrument Clusters
- Rear-Seat Entertainment Systems
- Console Display

Part Number	Package	Pack Size	HDCP
INAP563TAQ-T	151 aQFN	176 / Tray	
INAP563TAQ-R2	151 aQFN	2000 / Reel	
INAP593TAQ-T	151 aQFN	176 / Tray	yes
INAP593TAQ-R2	151 aQFN	2000 / Reel	yes

