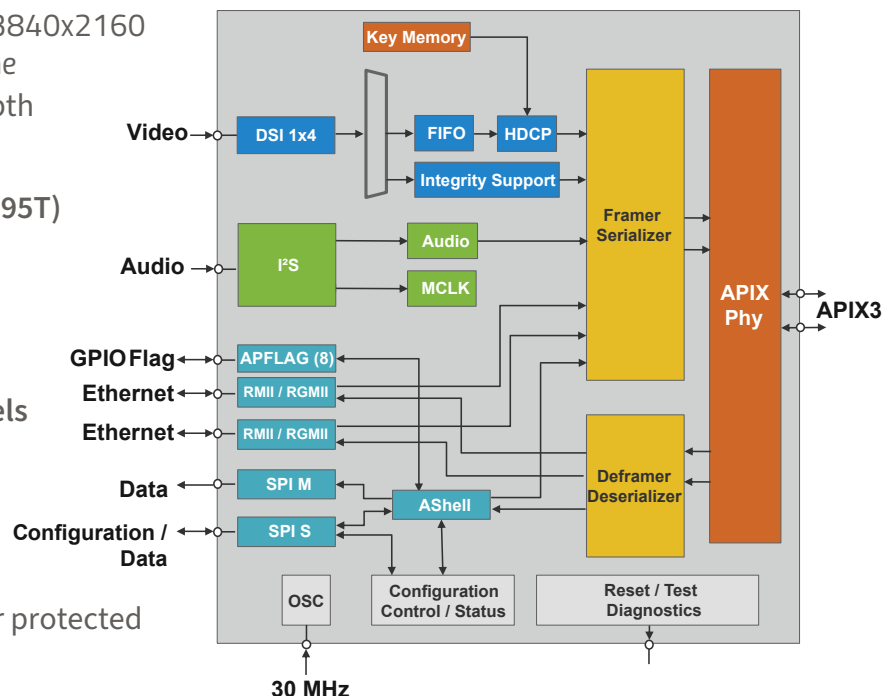


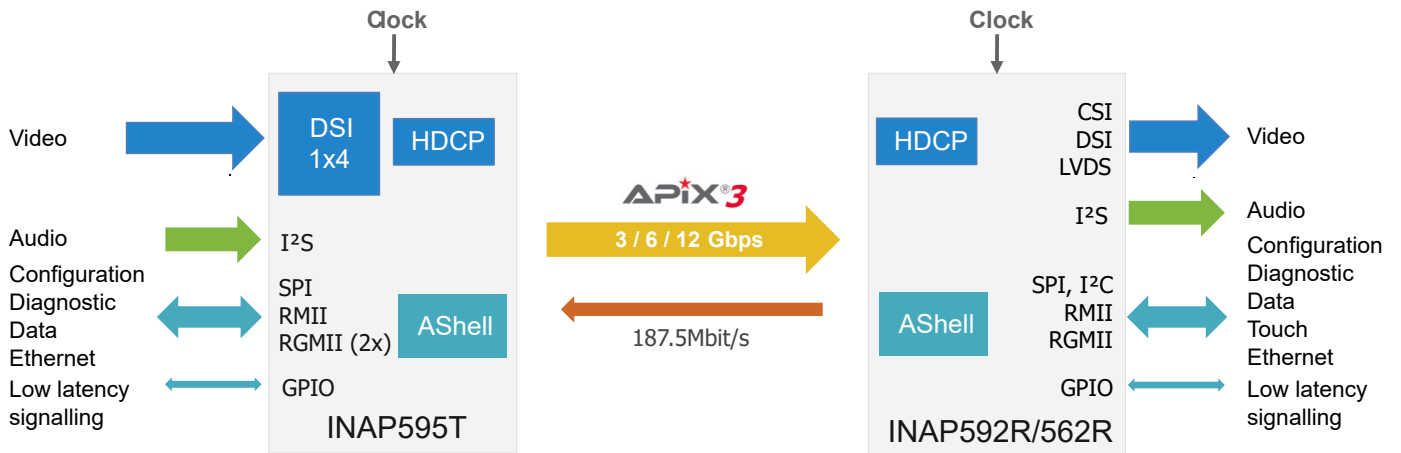
INAP565T, INAP595T

APIX3 Transmitter w. DSI video input

FEATURES

- **Physical Layer**
 - 6, 3 or 1.5 Gbps downstream
 - Support of 12 Gbps dual lane link
 - 6+6 Gbps, 3+3 Gbps, 1.5 + 1.5 Gbps
 - 187.5Mbps upstream
 - Automatic link training
- **Supports STP (Shielded Twisted Pair) or QSTP cables**
- **Support to drive 2 receivers simultaneously**
- **Single Video Channel supports**
 - Uncompressed video transmission up to 3840x1080 30bit @60Hz
 - VESA DSC compressed video up to 3840x2160 24bit @60Hz (4K2K) over single lane
 - Supports 18/24 or 30-bit color depth
 - Video integrity support
- **HDCP 1.4 encryption engine (INAP595T)**
- **MIPI DSI 1.2 video interface (1x4)**
 - DPHY 1.2 up to 1.5 Gbps/lane
 - Support for VESA DSC tunneling
- **Full-duplex communication channels for Data, Ethernet or GPIO**
 - 2 MII/RMII/RGMII interfaces
 - 10/100 Mbps support
 - SPI data interfaces
 - Up to 4 GPIO Flags per receiver for protected signaling over AShell (APFLAG)
- **Embedded AShell protocol data protection layer**
- **I²S Audio interface**
 - Supports 16/24/32 Bit word length
 - Supports up to 192kHz sampling
 - TDM support for up to 8 channels
- **Diagnostic Features:**
 - Built-in PRBS generator and checker
 - Continuous link monitoring
- **APIX2 compatible**





TEMPERATURE QUALITY

- -40°C to +105°C
- AEC-Q100

DESERIALIZER

- INAP562R, INAP592R
- INAP375R, INAP395R
- Indigo 2 / Indigo 3 / Indigo 3L (Socionext)

APPLICATIONS

- Infotainment Systems
- Head Units
- Head Up Displays
- Multimedia Gateways
- Central Information Displays
- Instrument Clusters
- Rear-Seat Entertainment Systems
- Console Display

Part Number	Package	Pack Size	HDCP
INAP565TAQ-T	151 aQFN	176 / Tray	
INAP565TAQ-R2	151 aQFN	2000 / Reel	
INAP595TAQ-T	151 aQFN	176 / Tray	yes
INAP595TAQ-R2	151 aQFN	2000 / Reel	yes

